

ADDENDUM

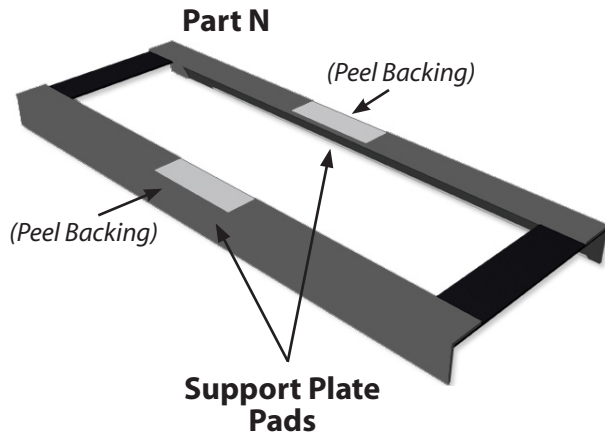
INSTRUCTIONS - STEP 1

1 - Slide one of the **Part C** (Rubber Washers) over the bottom end of **Part B** (Center Pole). Slide **Part J** over the pole end next. Position the slight bend in **Part J** towards the top end of the pole (Part B). Then slide **Part H** (Base Insert Tube) over the bottom end of the pole (Part B). **Figure 1**.

Next, place **Part N** (Figure 2) over the **Base Part L** centering the **Support Plate Pads** to allow the **Support Plate J** to rest upon the Pads*. (See Figure 1)

Now insert the bottom end of **Part B** into the top of the center hole of the Base **Part L** and proceed to **Step 2** of the instructions.

Figure 2



***NOTE:** Remove backing from the Support Plate Pads before placing the Support Plate on top of the Pads. This will keep the Support Plate in place during use.

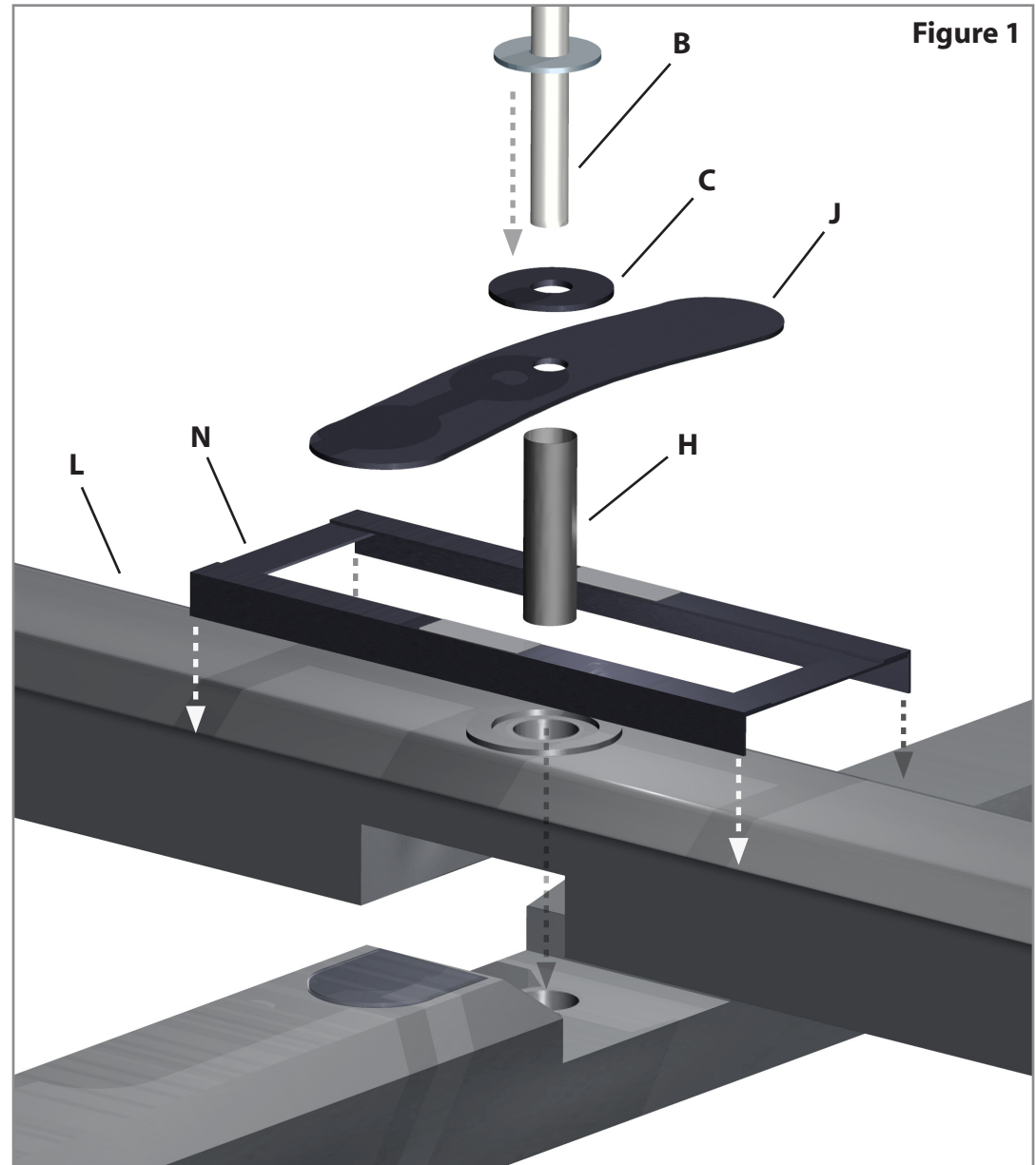


Figure 1

IMPORTANT: The Perfect Swing Batting Stick has a Safety Strap connecting the ball cover to the fiberglass rod, if this strap becomes damaged or broken discontinue use to avoid damage or injury. Always inspect the Sandlot 2-in-1 for damaged or broken parts and contact Heater Sports for service and support.
Toll Free: 1-800-492-9334 or Visit www.HeaterSports.com.

