

HeaterTM **Spring Away**

Instructions

IMPORTANT

DO NOT RETURN THIS PRODUCT TO THE RETAIL STORE WHERE PURCHASED. **CALL TOLL FREE: (800) 492-9334**

WARNING:

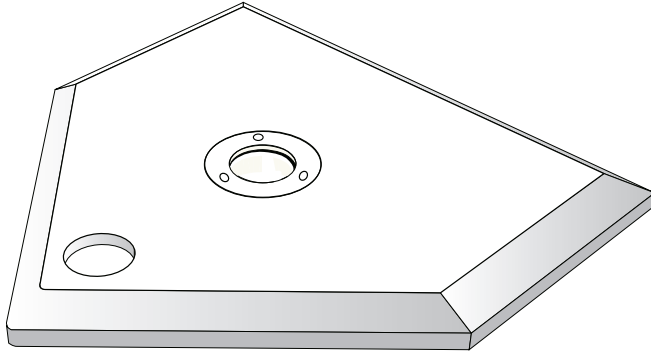
Improper use of this product can result in serious injury. Read and follow the instructions for the proper and safe use of the Spring Away. Always wear a helmet with a guard. Adult supervision is required. Inspect the tee top, tee stem, base and spring before each use for evidence of damage. Keep the area clear in front of the tee and around the swinging area of the batter.

Heater[®]
SPORTS

Part List

Model# SAEZ1999

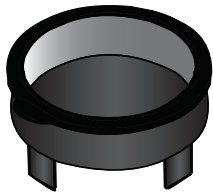
Base



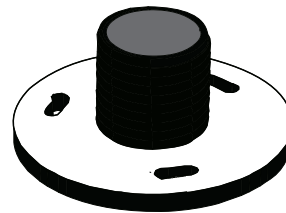
Part - A



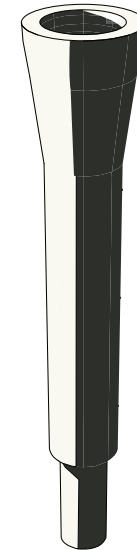
Stopper



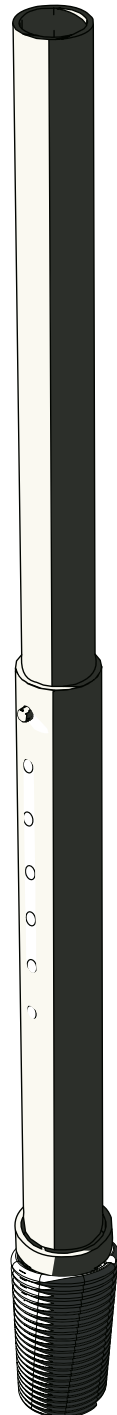
Part - B



Tee-Top



Stem

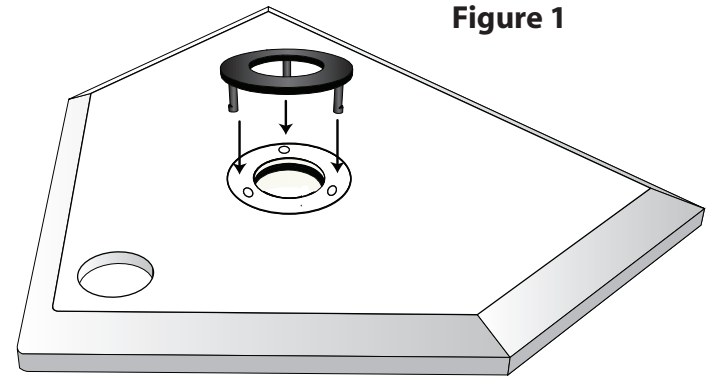


Spring

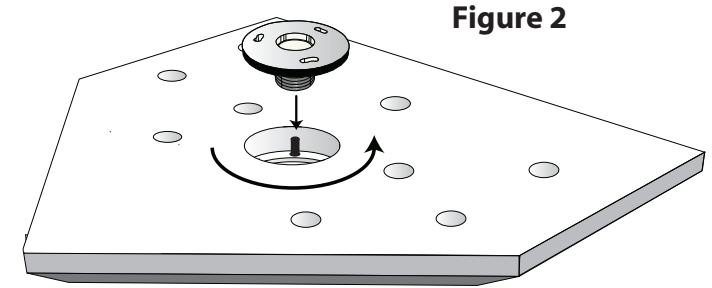


Assembly Instructions

1 - In the top center hole of the **Base** insert **Part A** into the three small holes surrounding the center hole as shown in **Figure 1**.

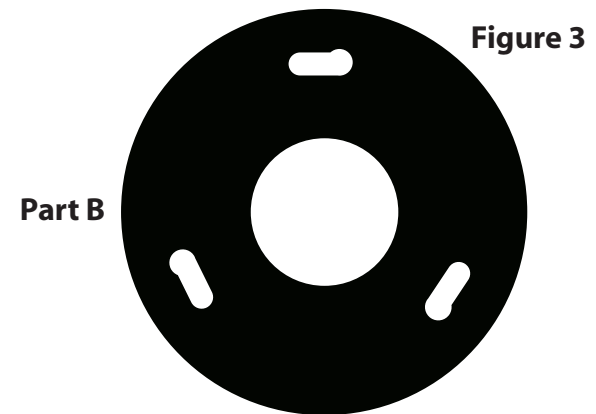


2 - Turn the **Base** up-side-down and insert **Part B** into the center recess and align the lock holes with the three prongs of **Part A** as shown in **Figure 2**.



Note: Align **Part A** prongs with the large opening of the lock holes in **Part B** as illustrated in **Figure 3**.

Once the parts are aligned, twist **Part A** counter clockwise until tight.



Assembly Instructions - cont.

- 4 - Next screw the **Stem** (with the **Spring** attached) onto **Part B** by twisting clockwise until tight as shown in **Figure 4**.

Note: The push-pin should align with the back of the **Base** when tight and allow you to adjust the height of the tee by selecting the various positions on the **Stem**.

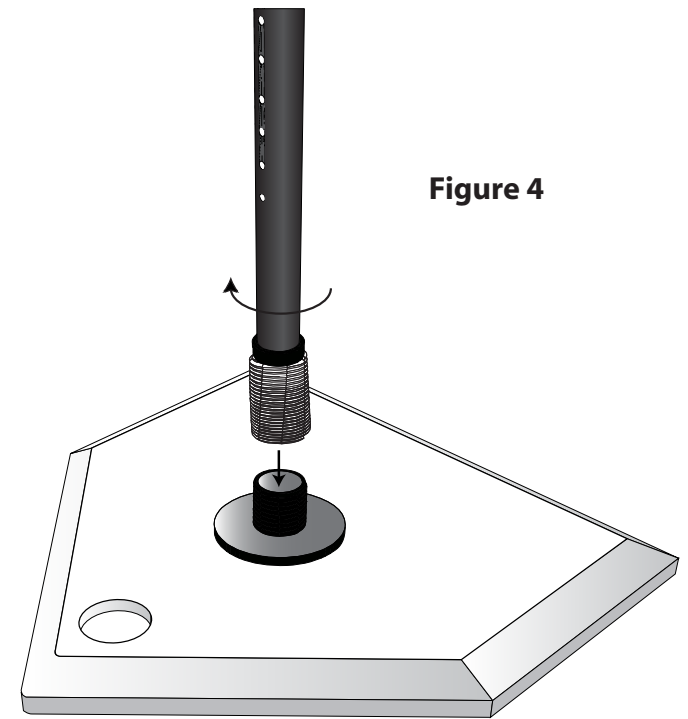


Figure 4

- 5 - Push the **Tee-Top** onto the **Stem** until it stops.

Note: The **Tee-Top** is reversible and can fit either way.

- 6 - You can now fill the **Base** with sand or water to keep the **Spring Away** from tipping over.

After filling the **Base** push the **Stopper** into the fill hole until it snaps tight.

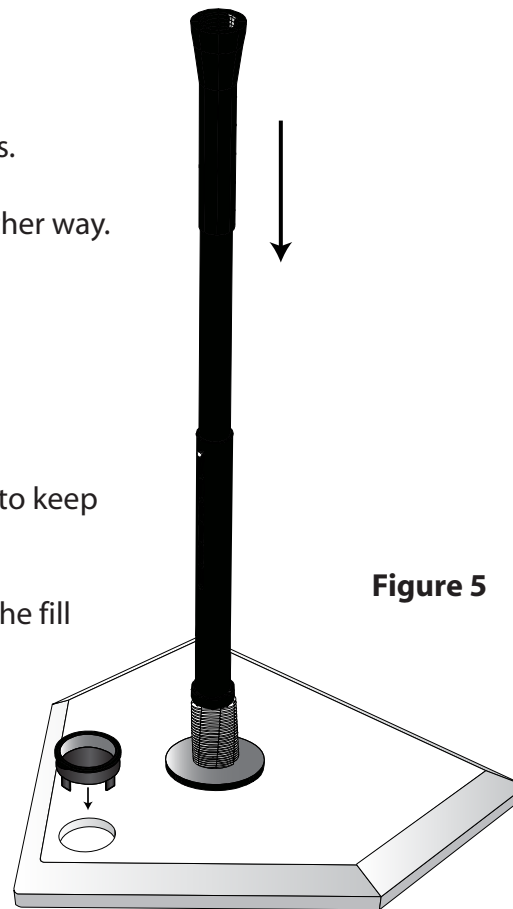


Figure 5



**REVERSIBLE TEE TOP
HOLDS SOFTBALLS,
BASEBALLS, &
MINI-BALLS**